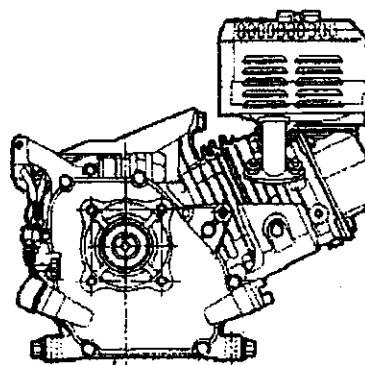
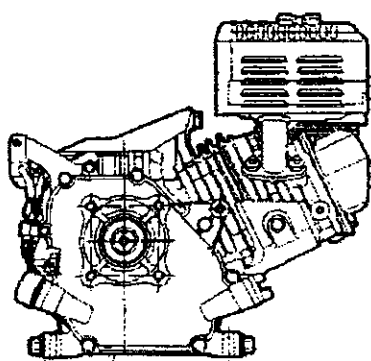


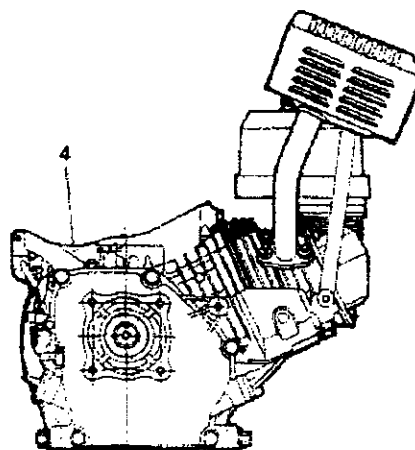
11.



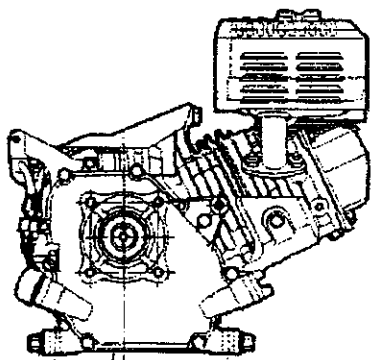
2



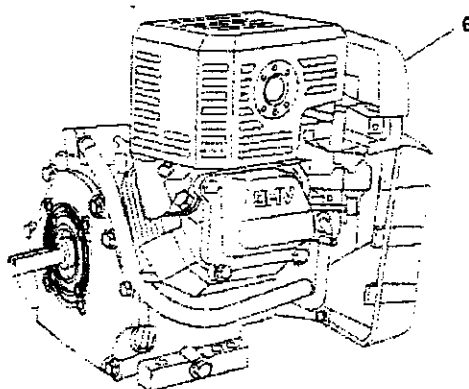
3



4



5

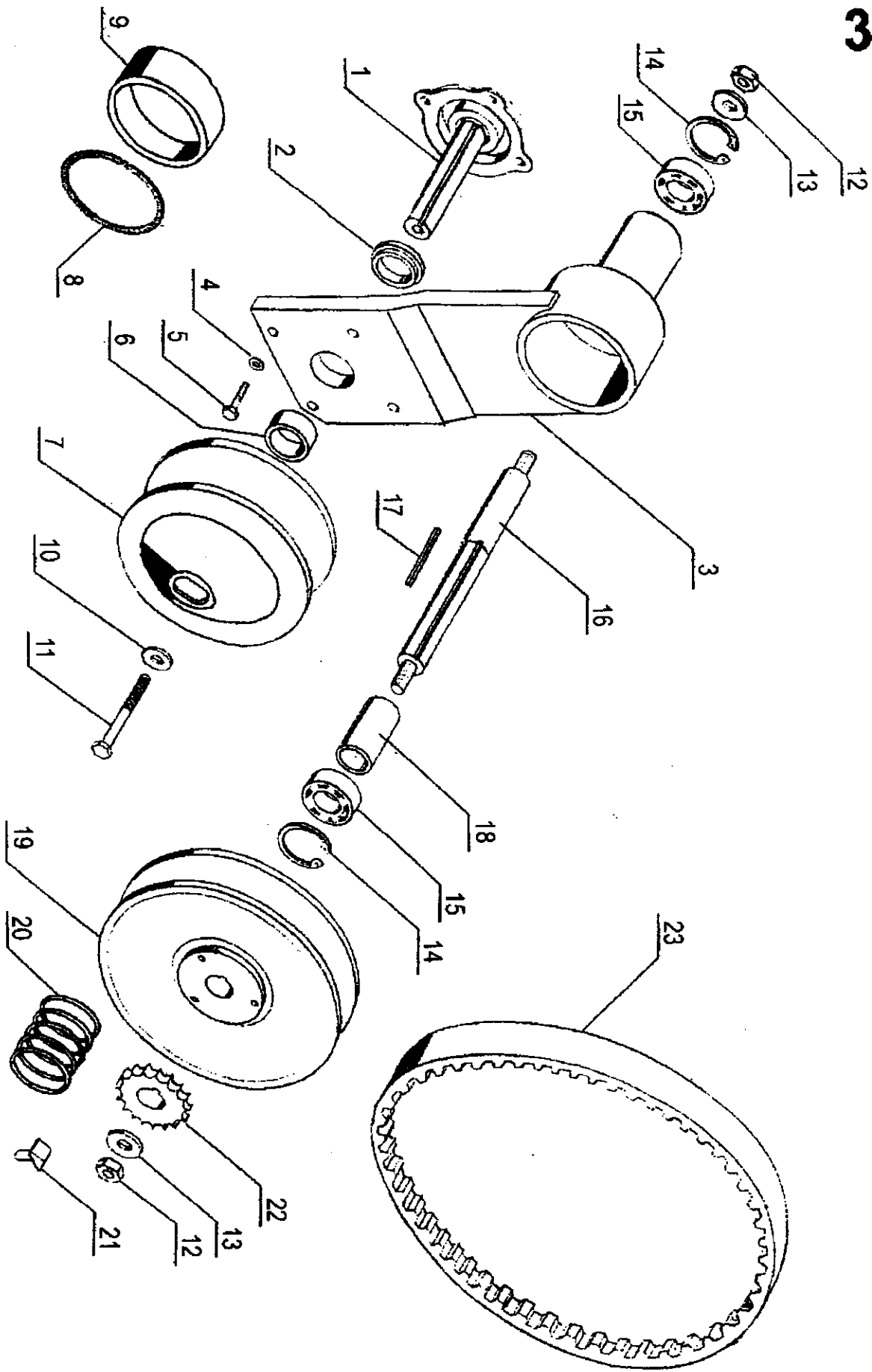


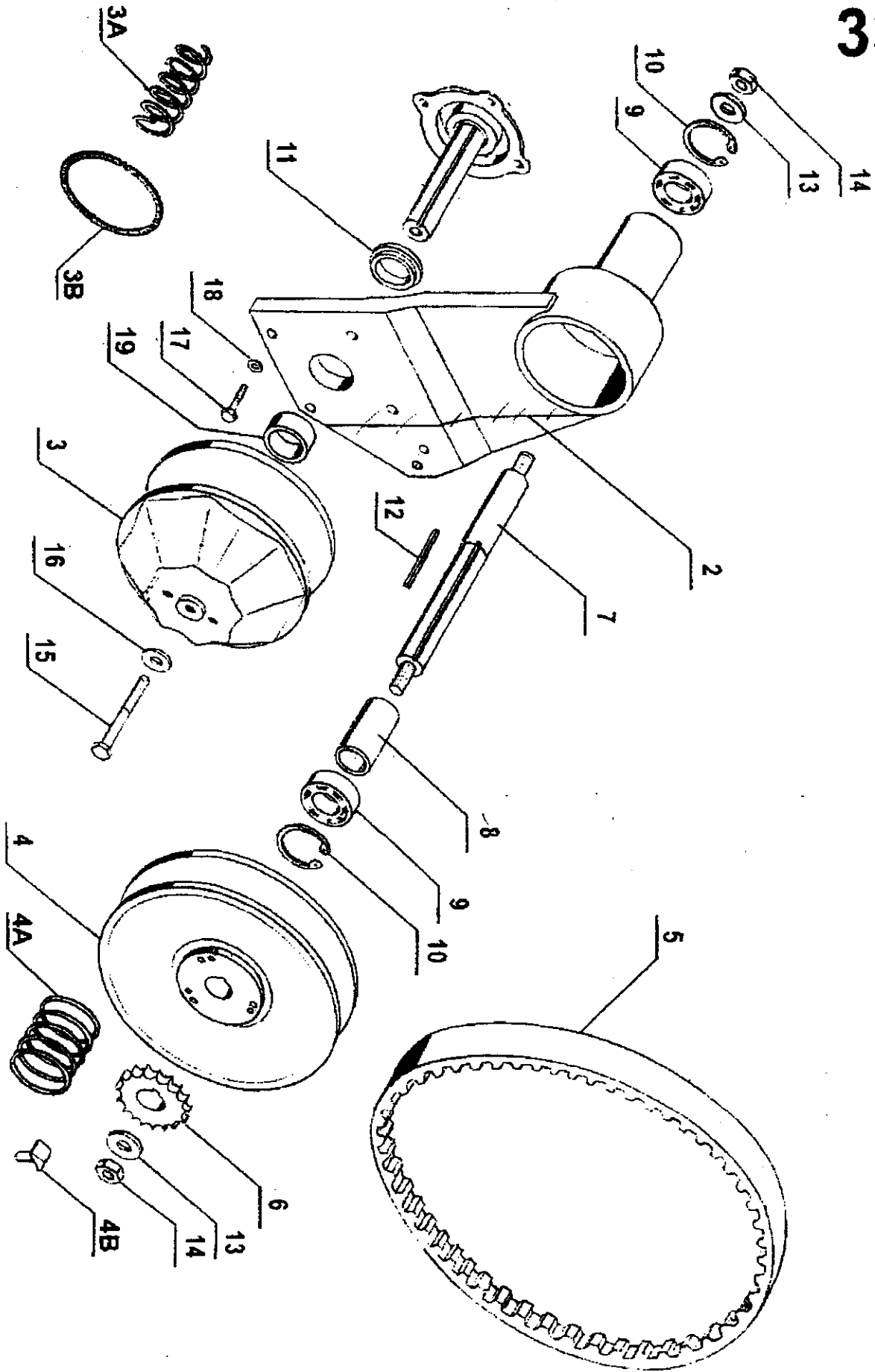
6

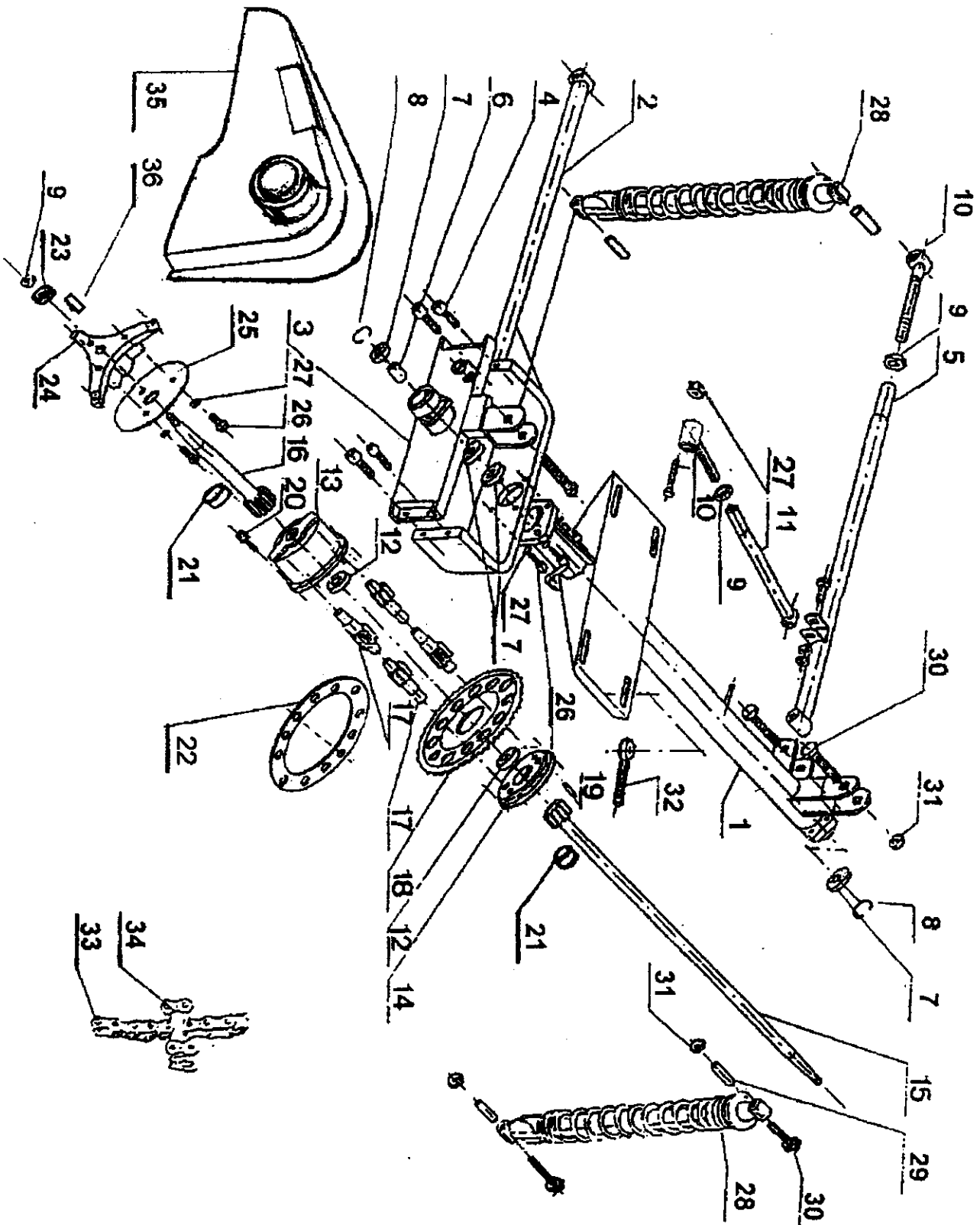
**Náhradní díly, opravy a servis motorů zajišťují po celém světě prodejci motorů Honda a Briggs&Stratton.**

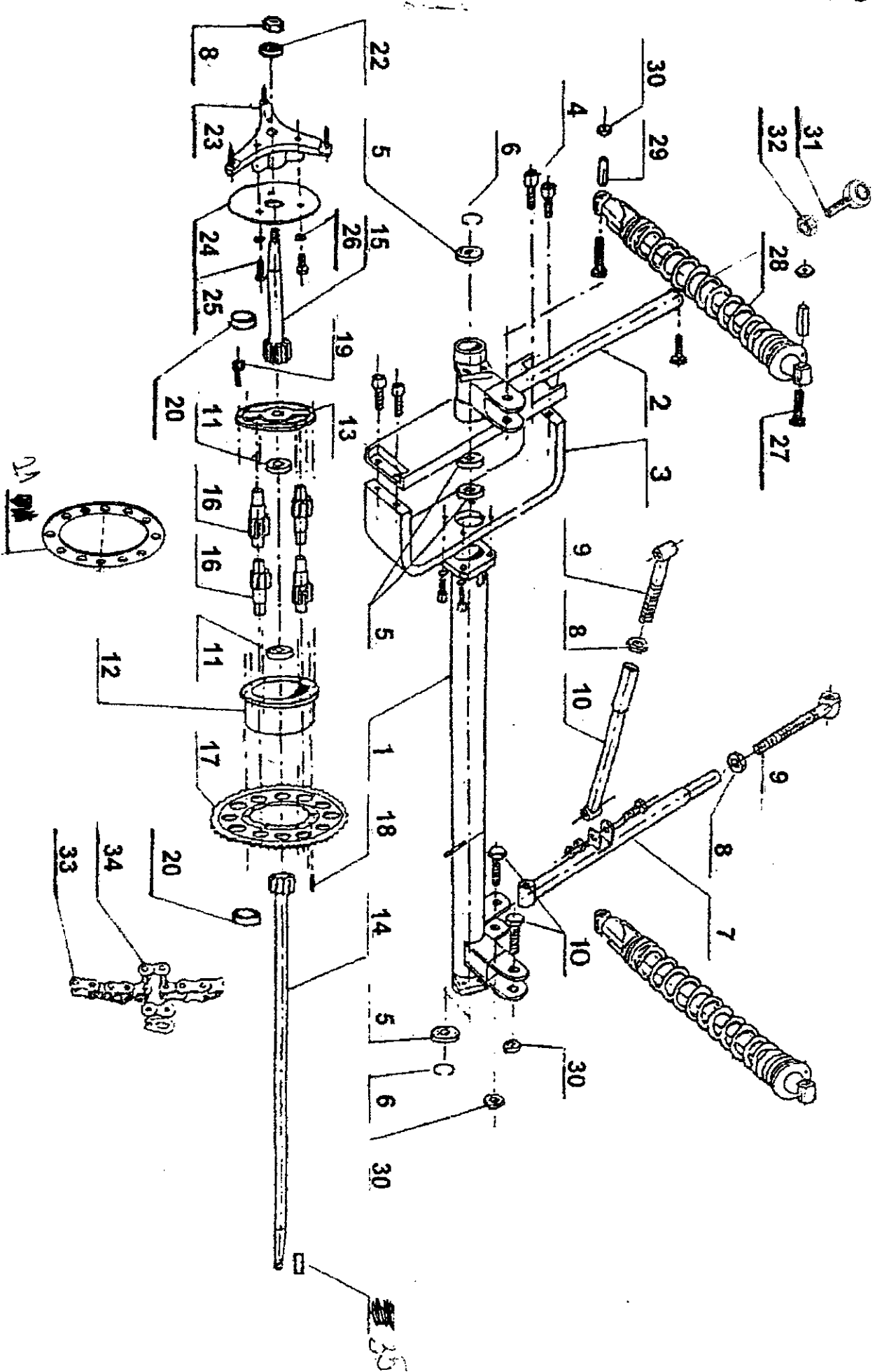
**Spare parts, repairs and service of engines are ensured by brand salers Honda and Briggs&Stratton all over the world.**

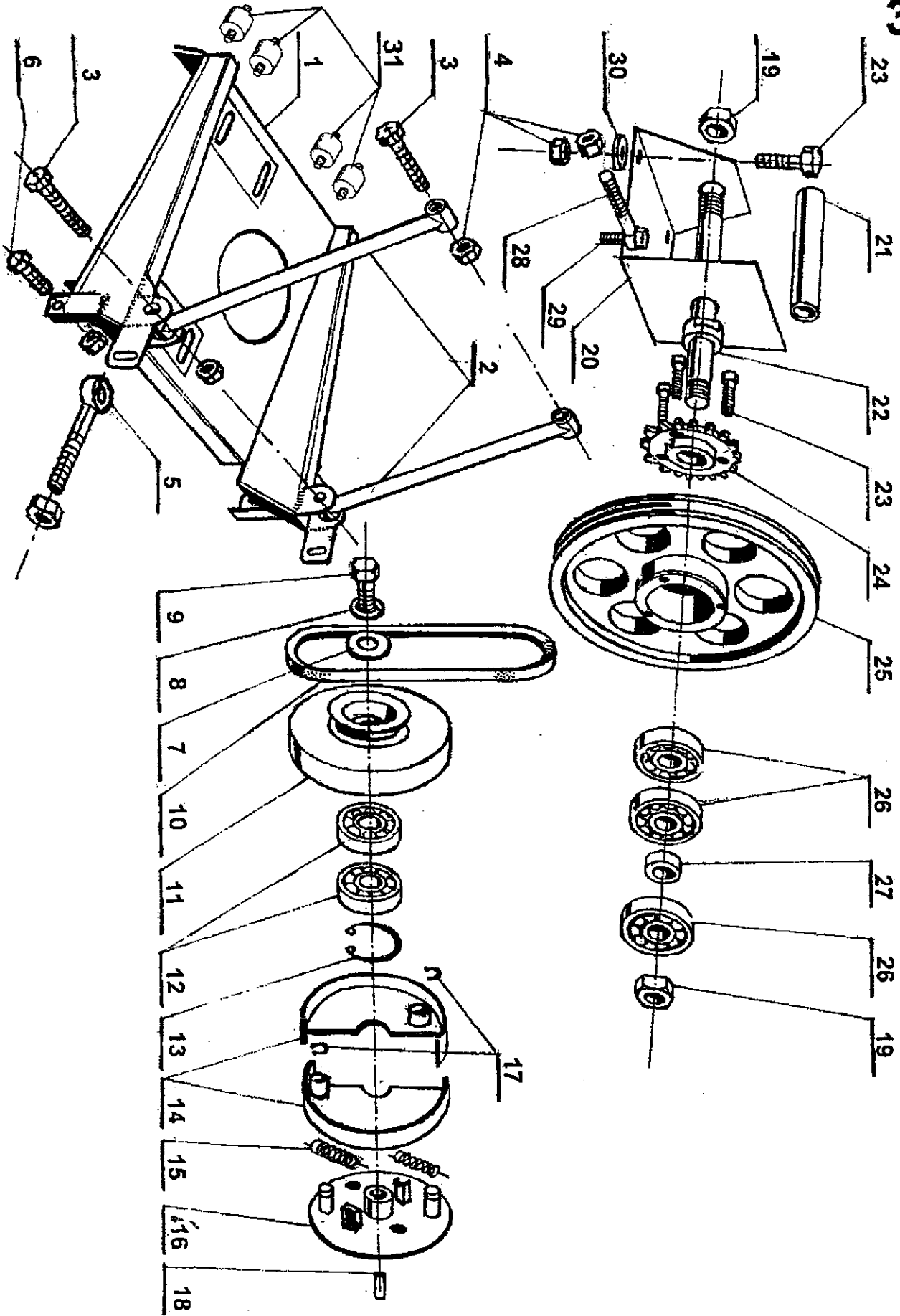
**Ersatzteile, sowie Reparaturen und Service des Motoren sicheren in aller Welt die Marken - verkaufsstellen Honda und Briggs&Stratton.**

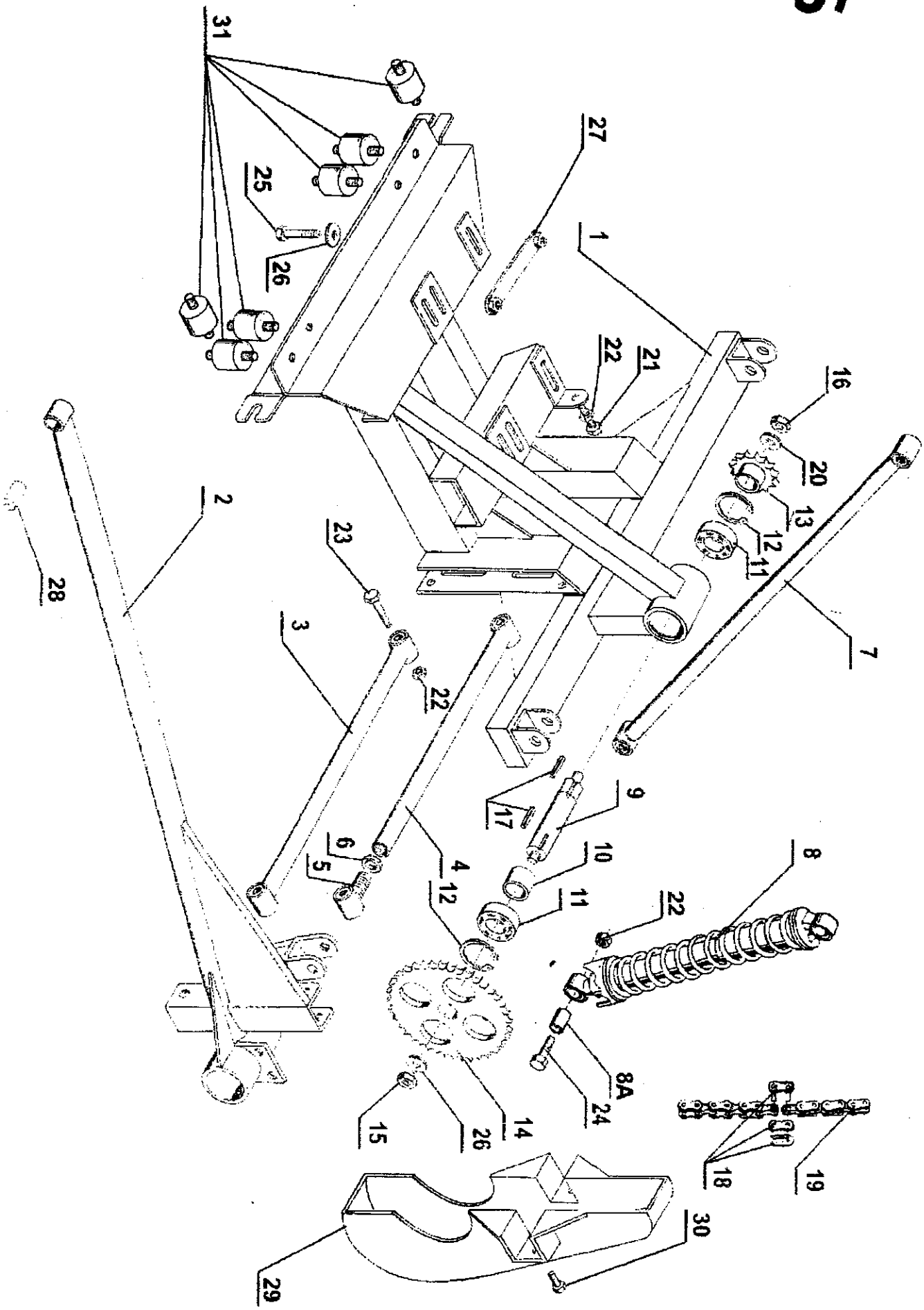


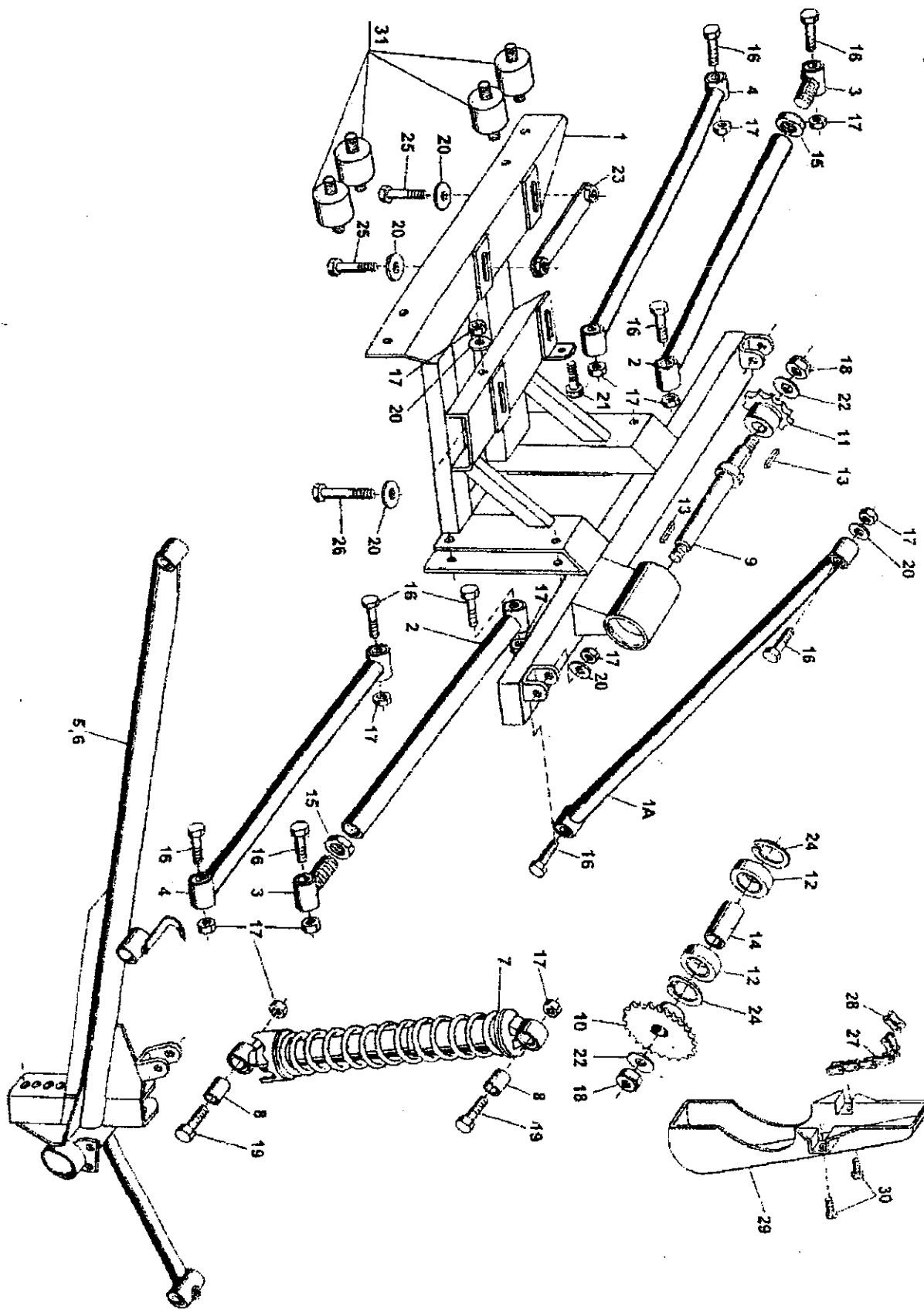






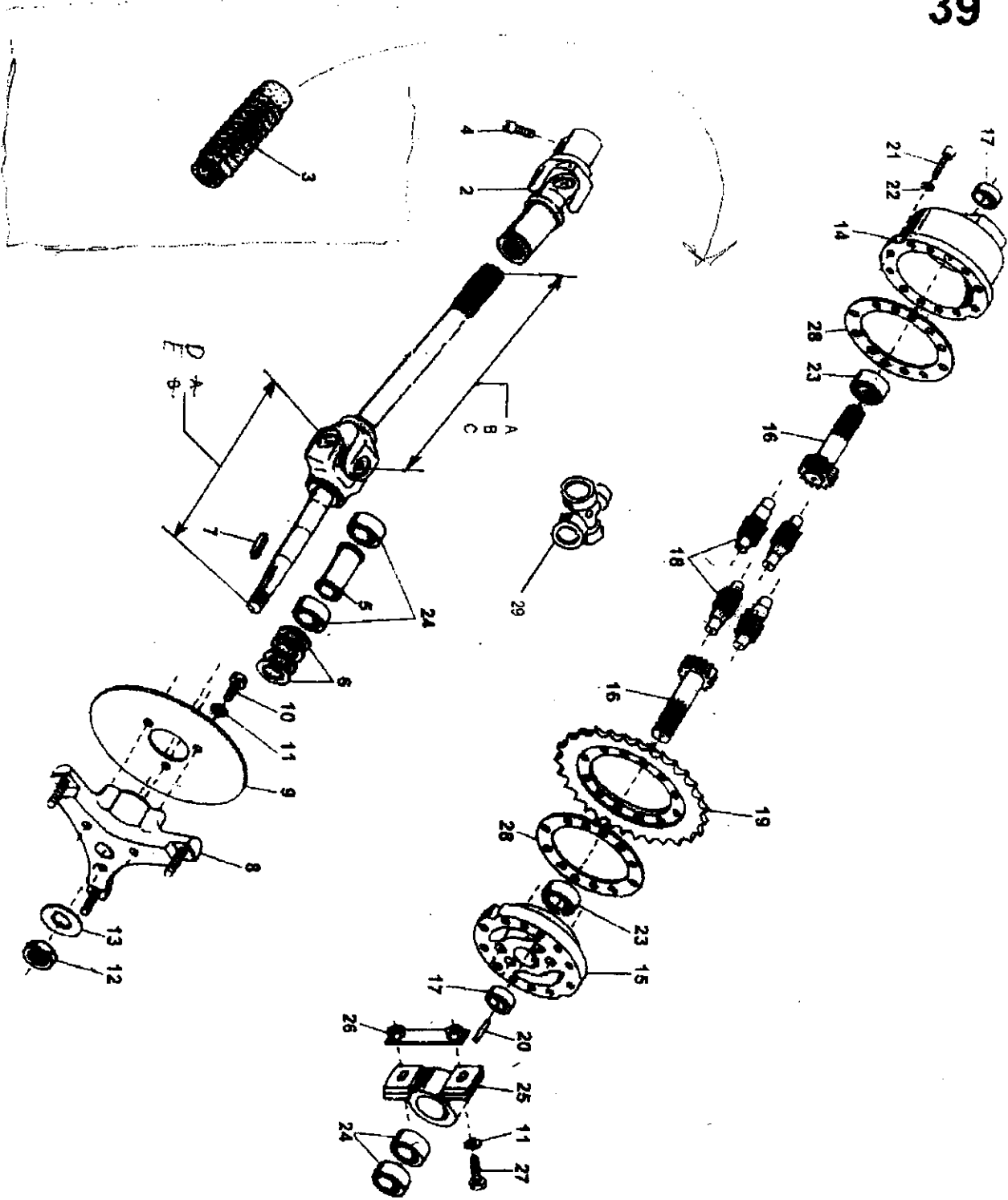




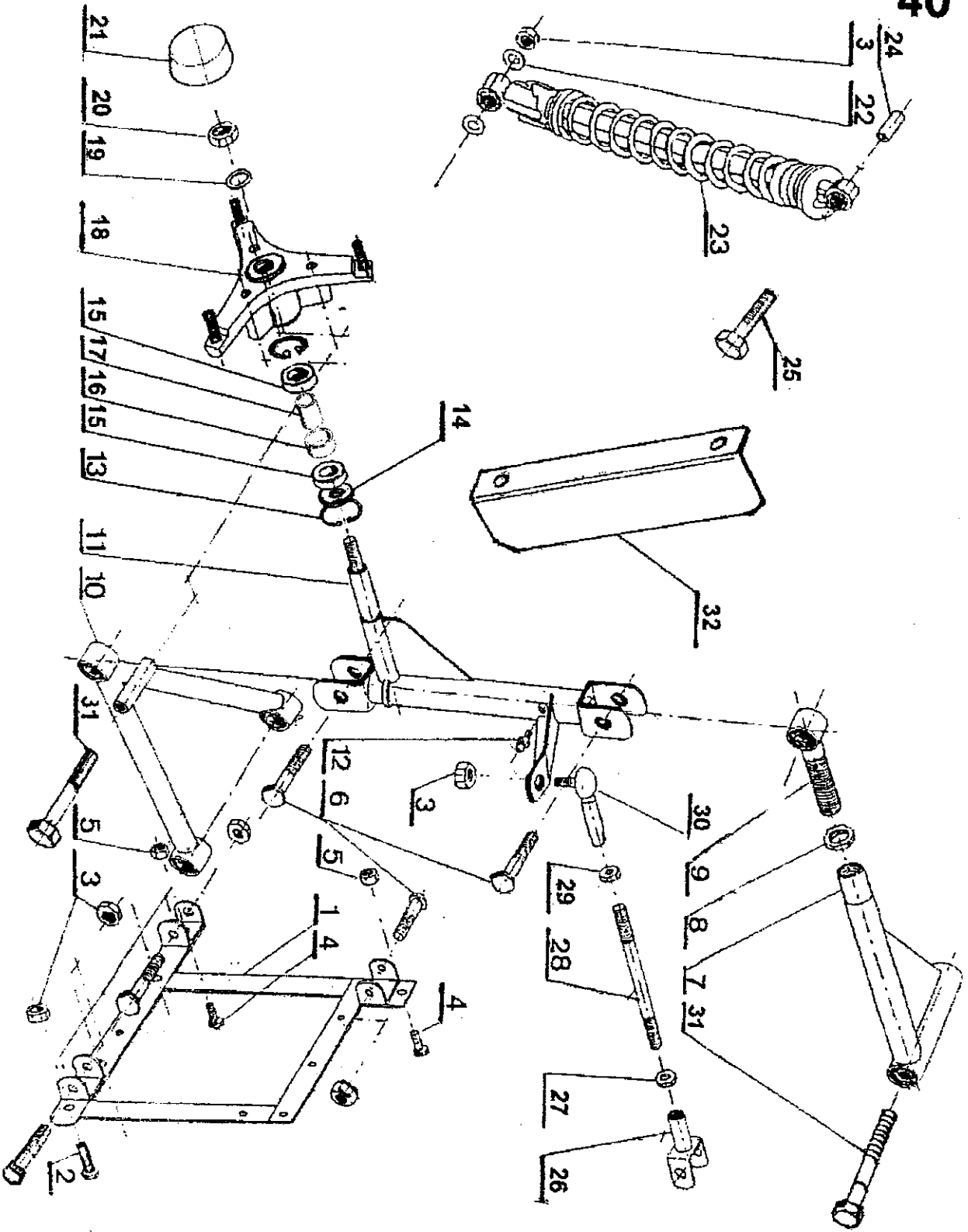




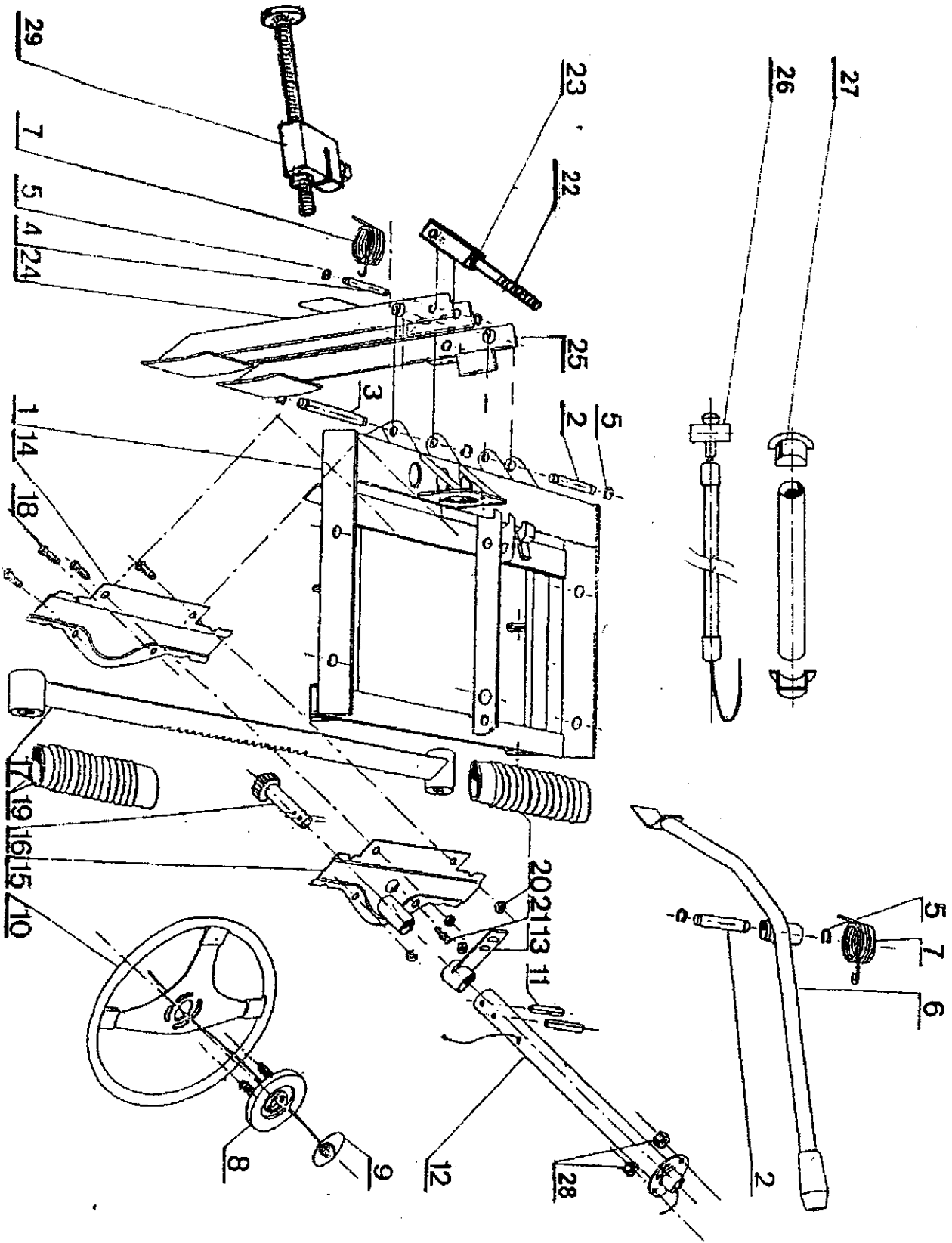
Rozmiar polowy    A    172  
                           B    210  
                           C    224  
                           D    162  
                           E    174

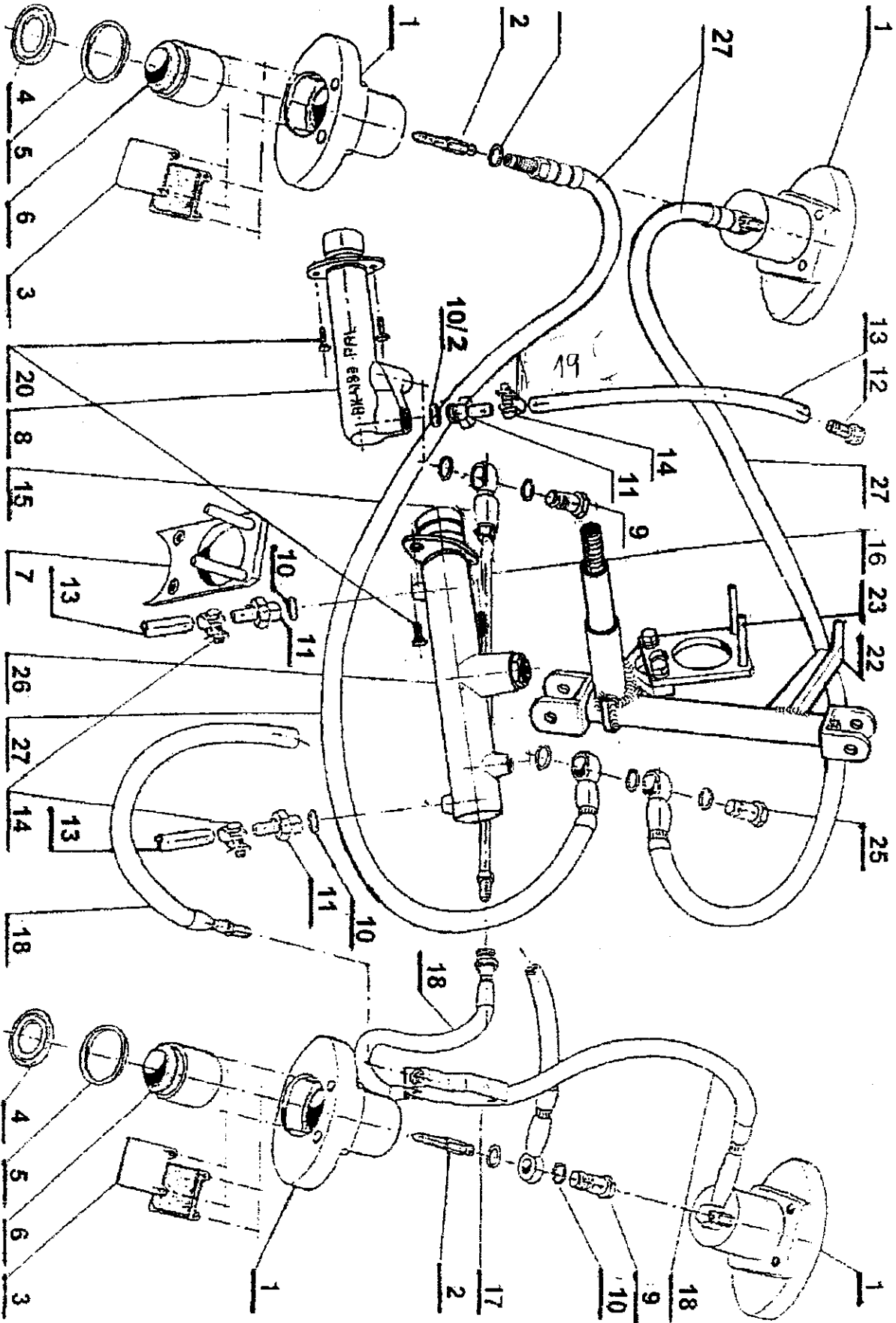


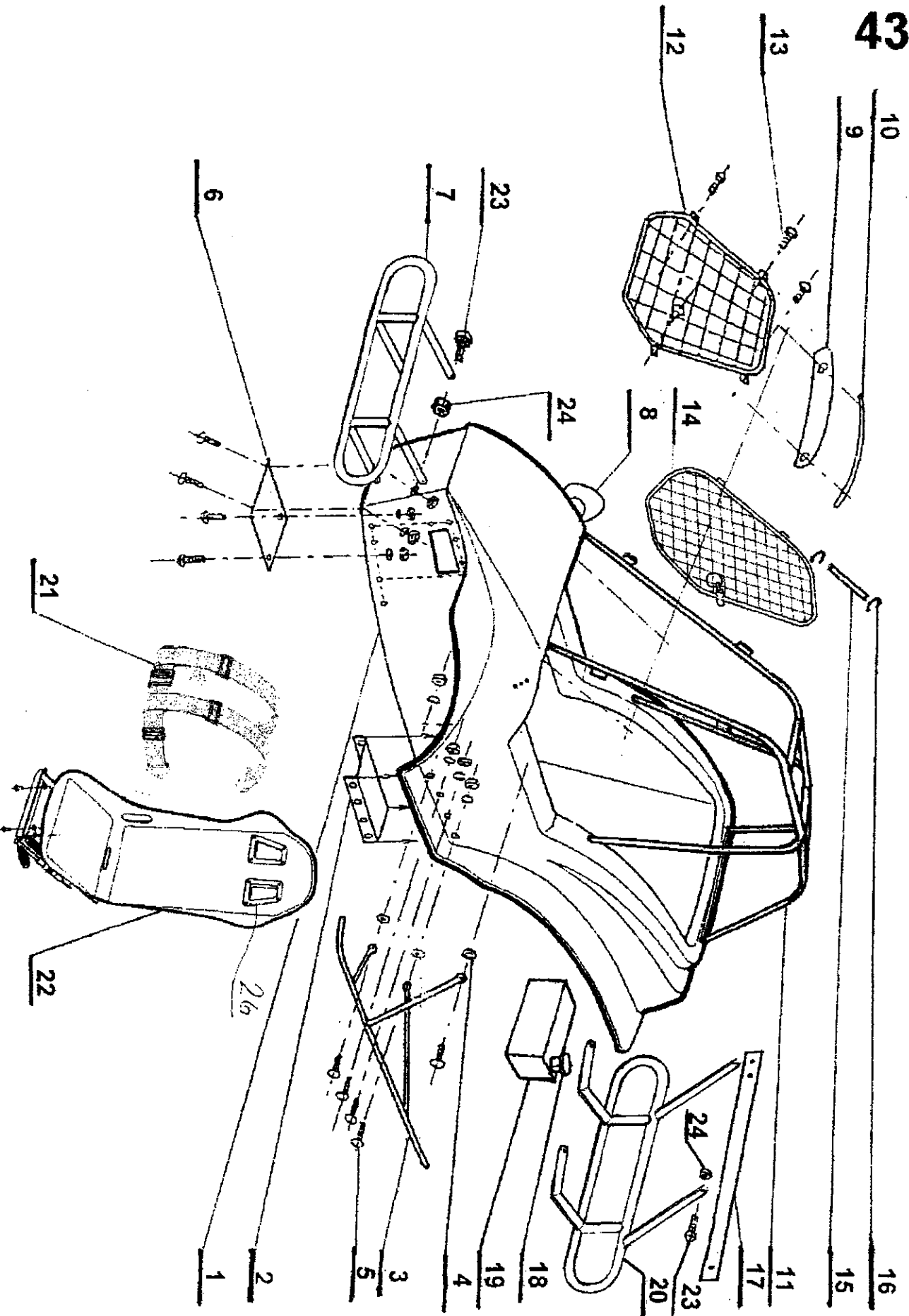
40

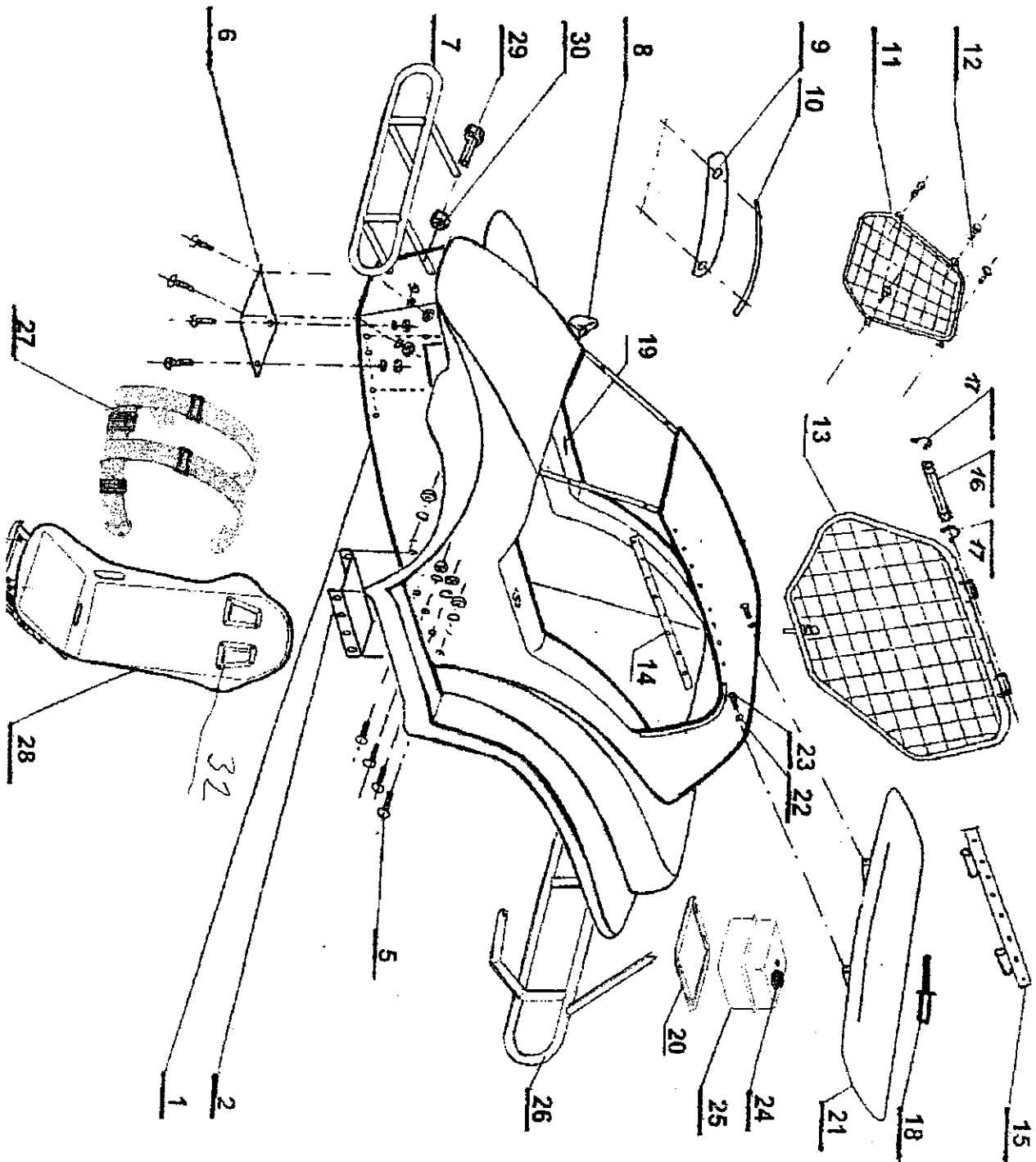


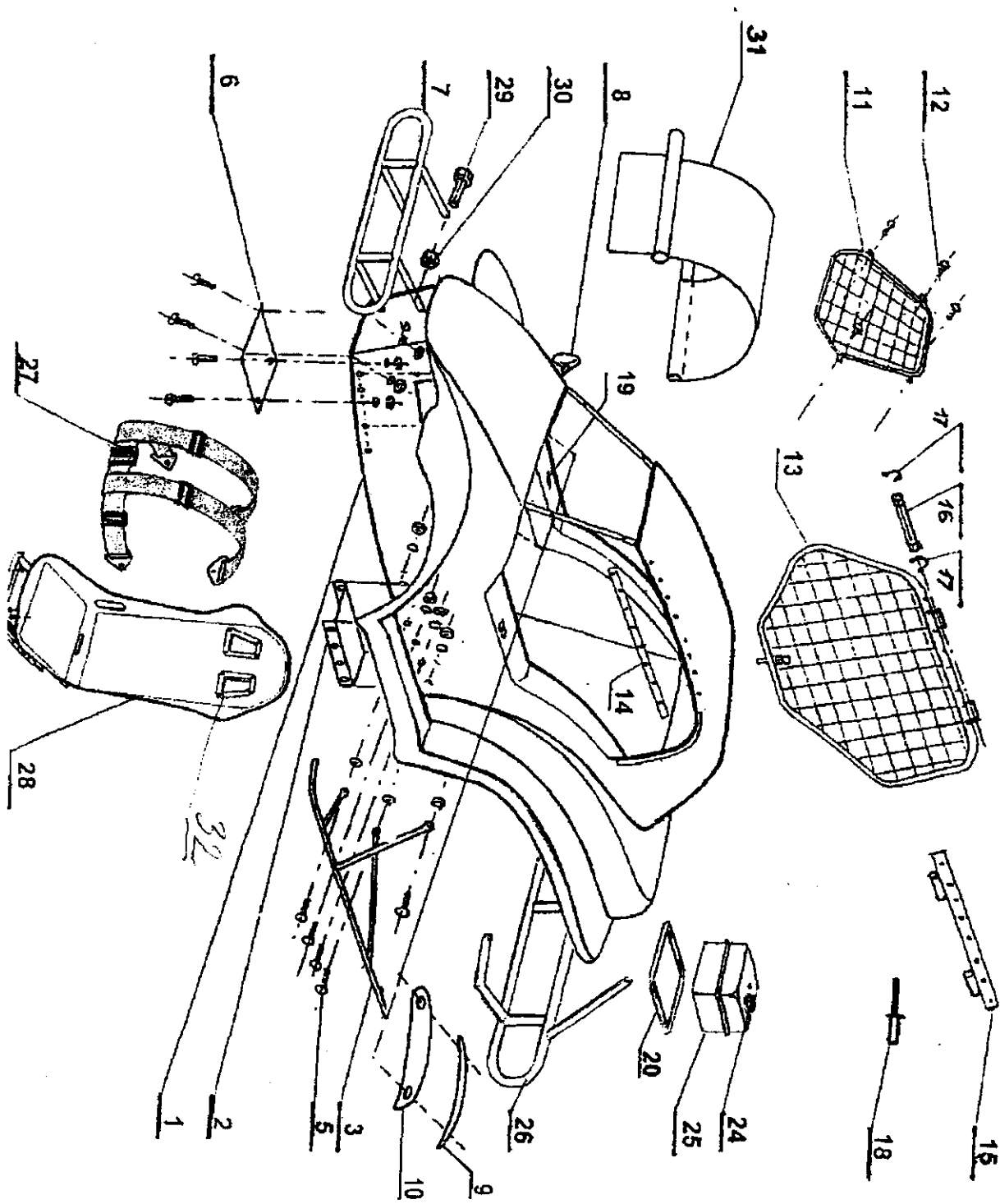
3

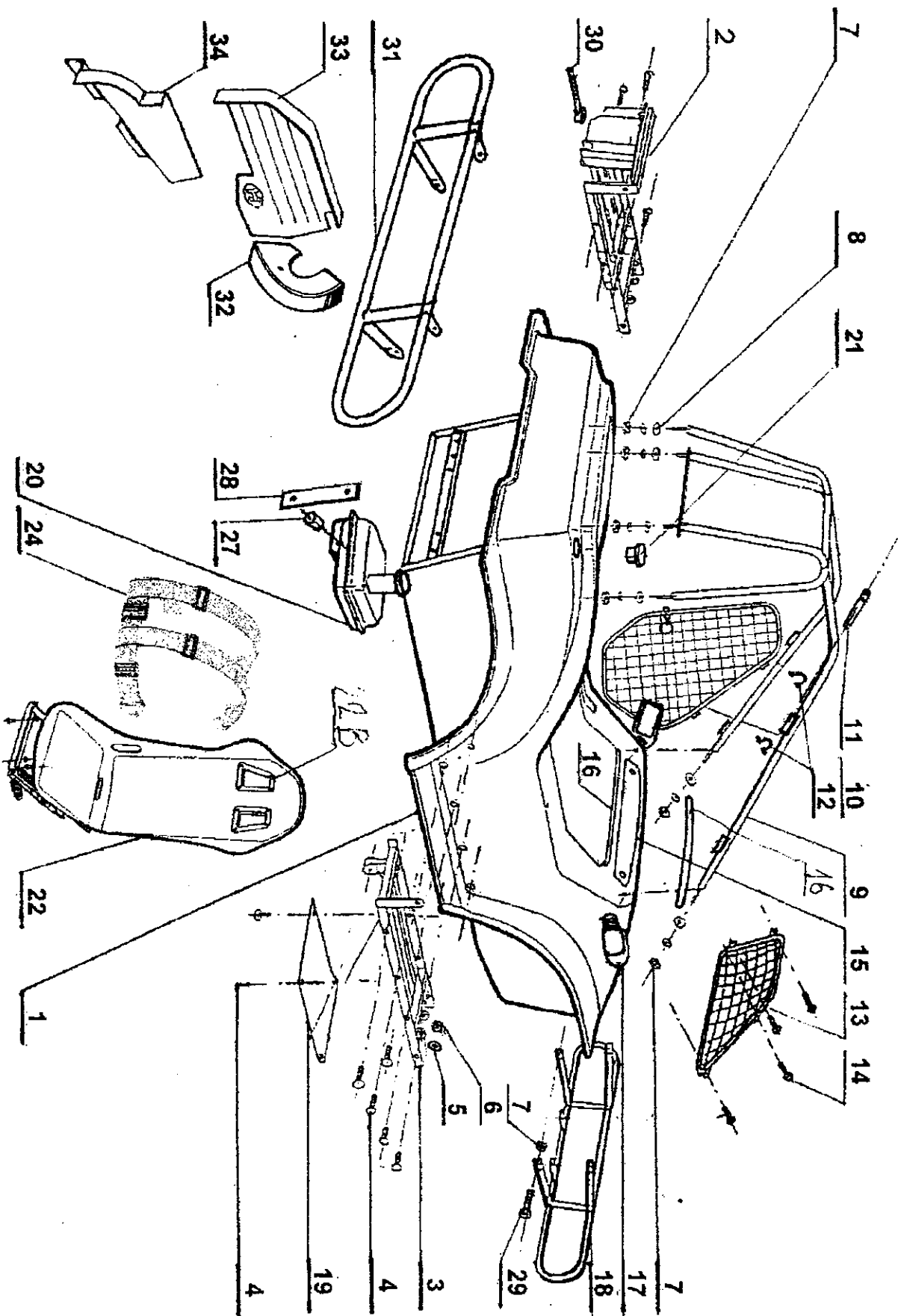




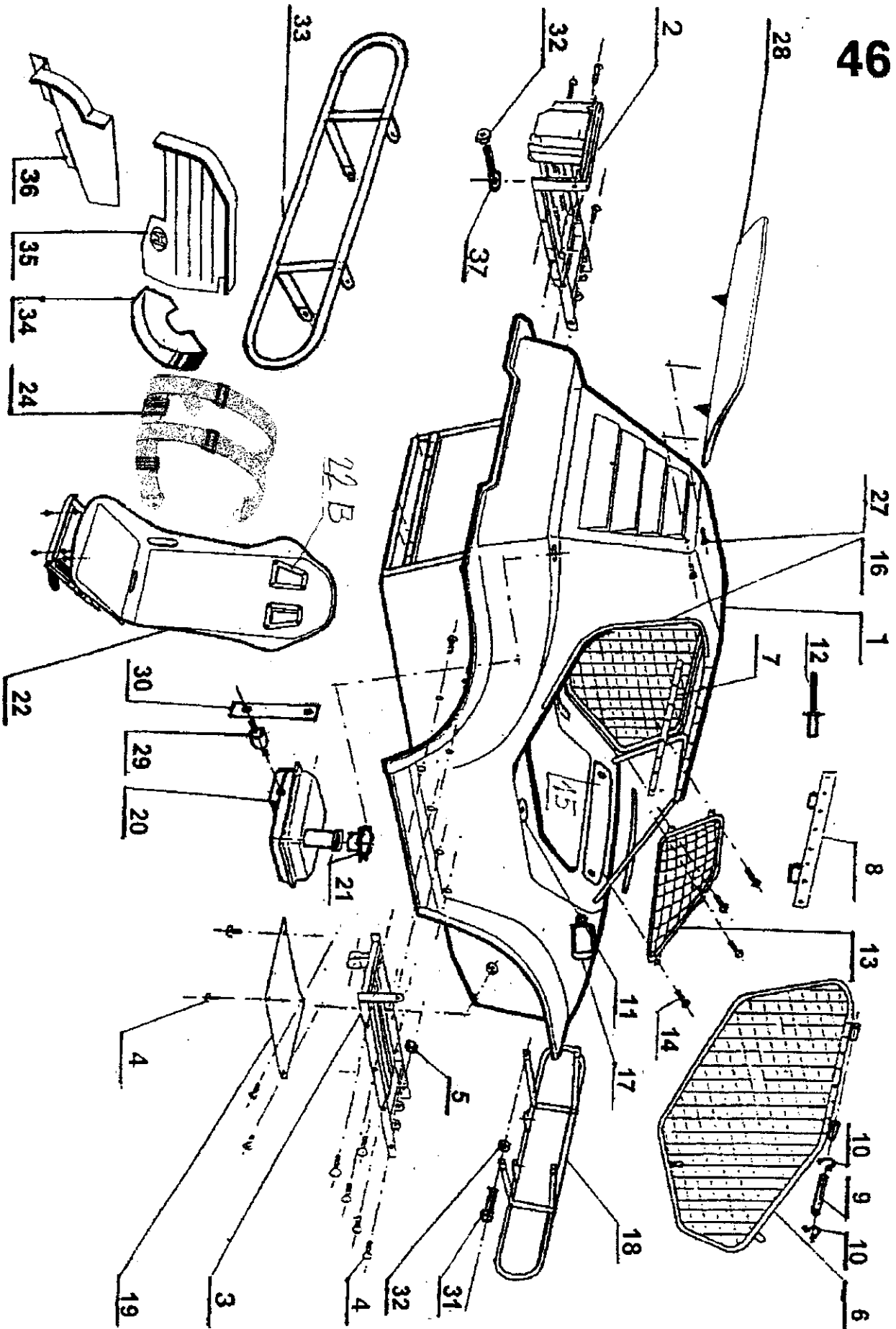


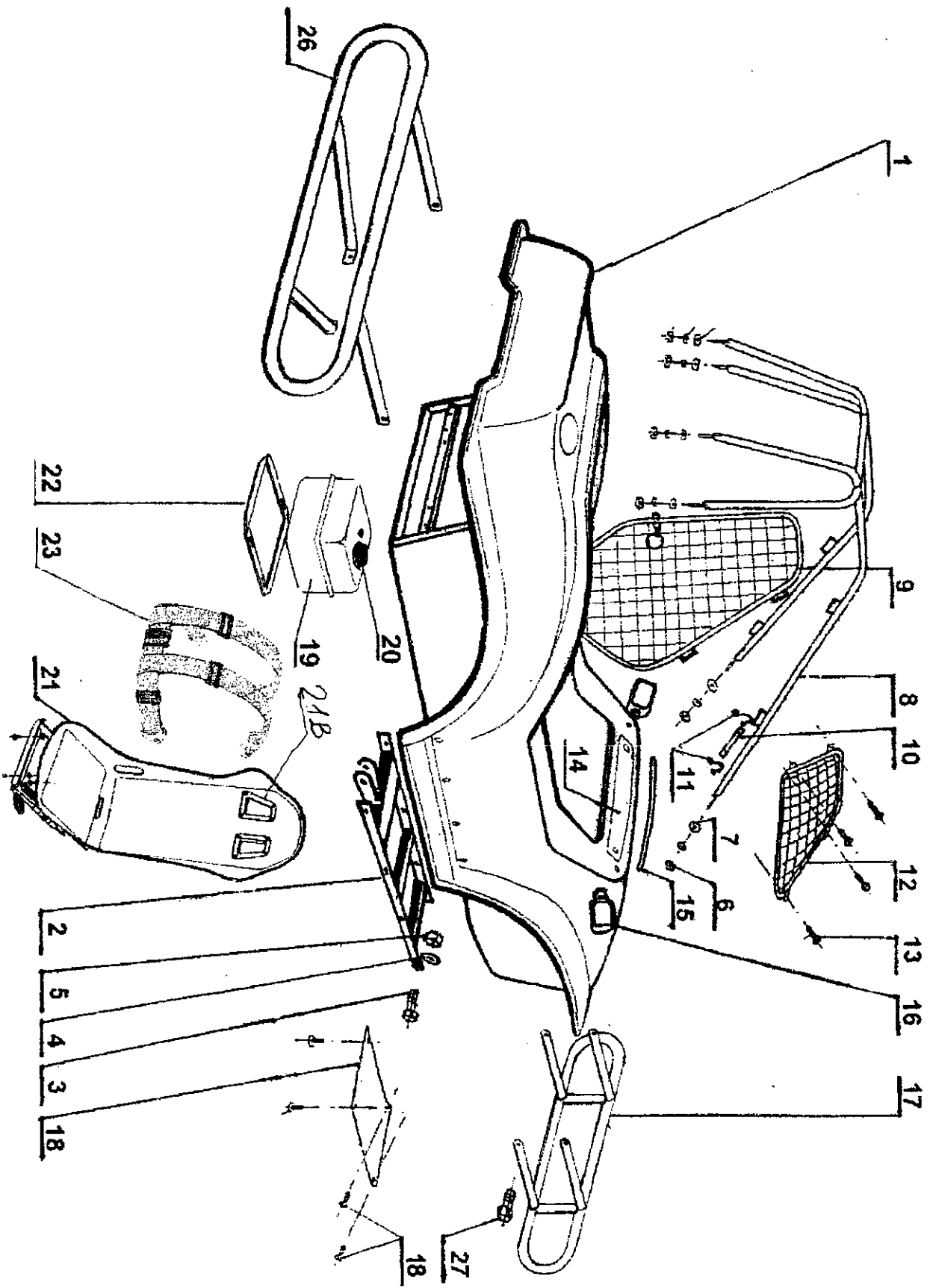




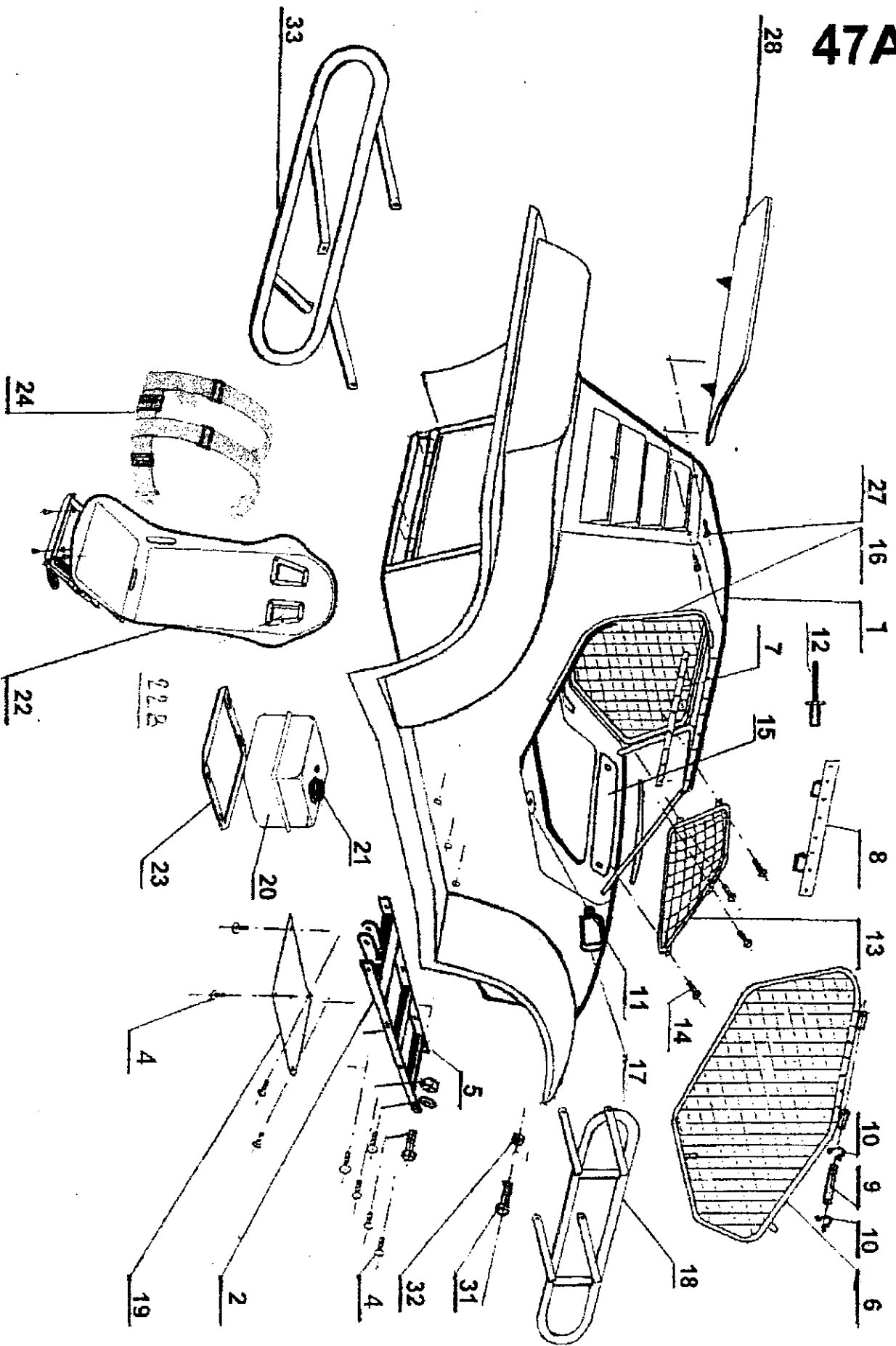




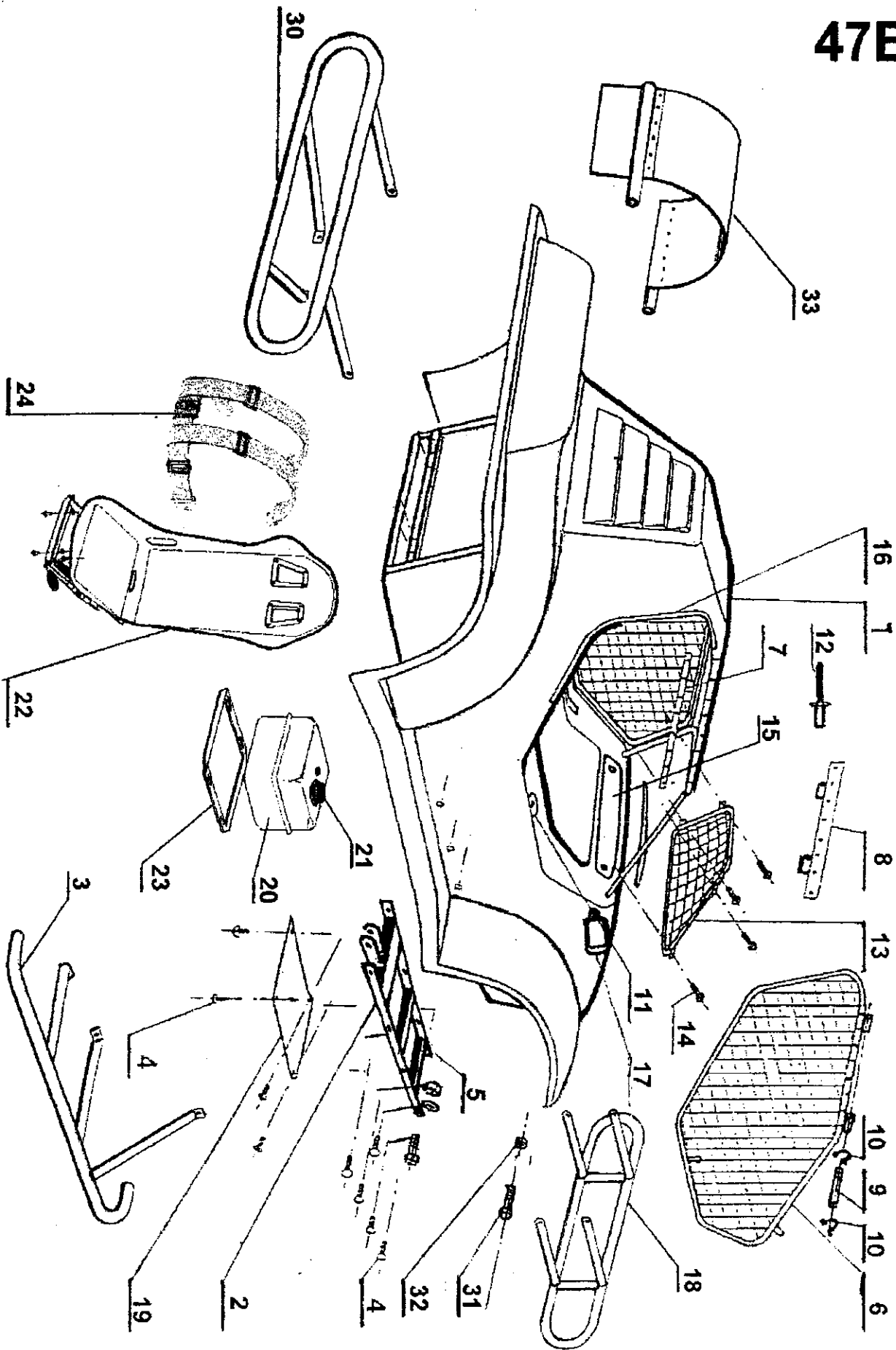


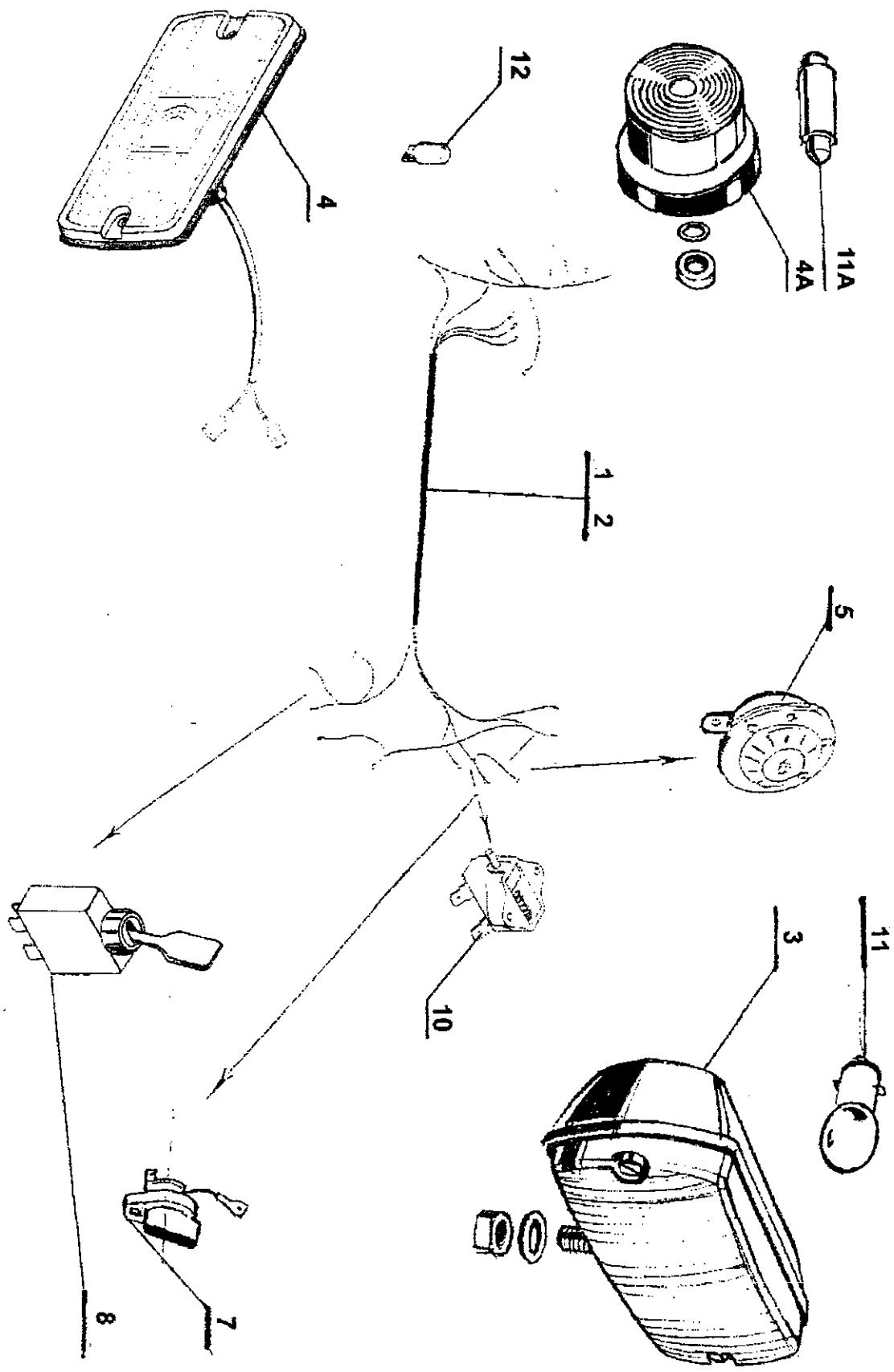


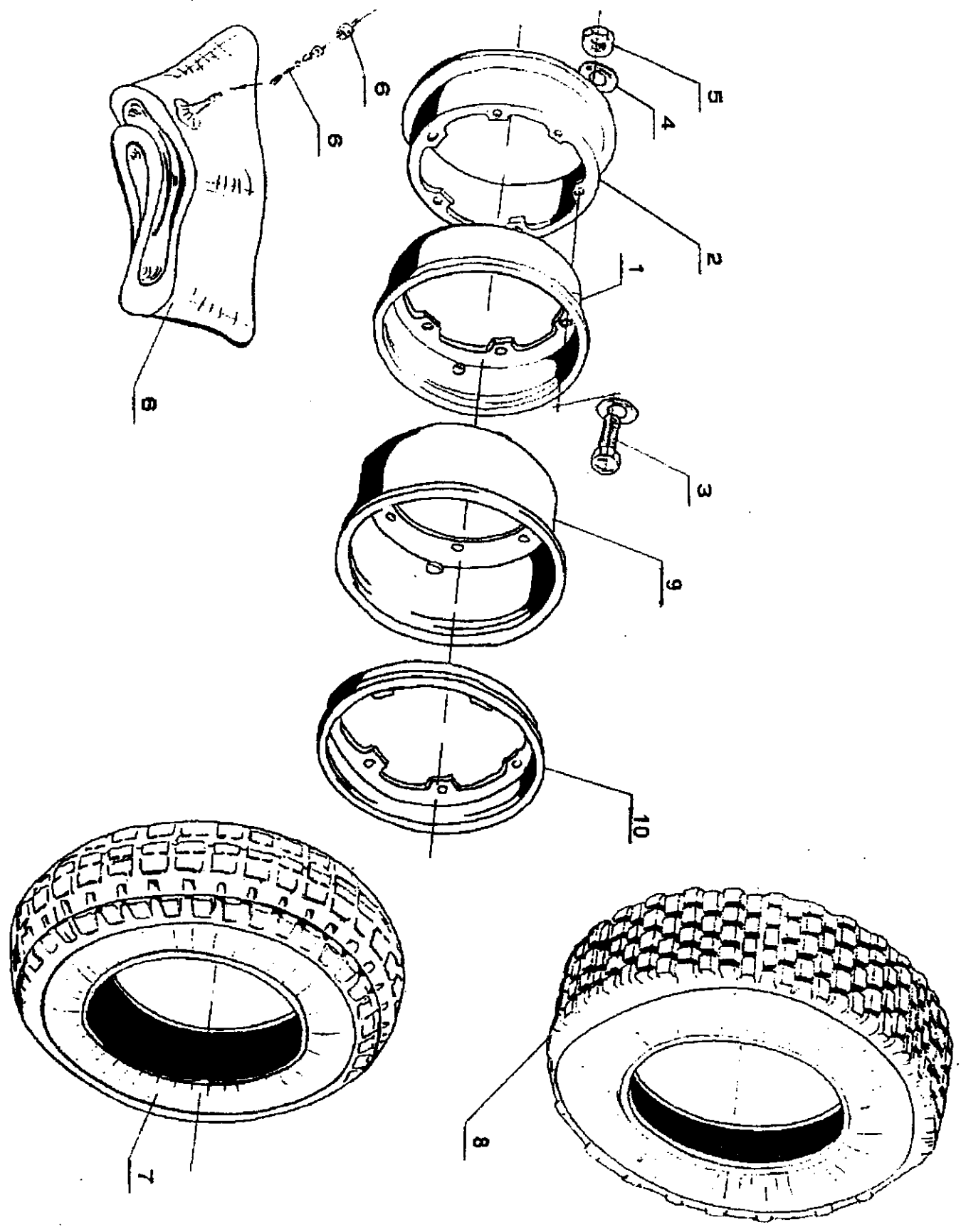
47A



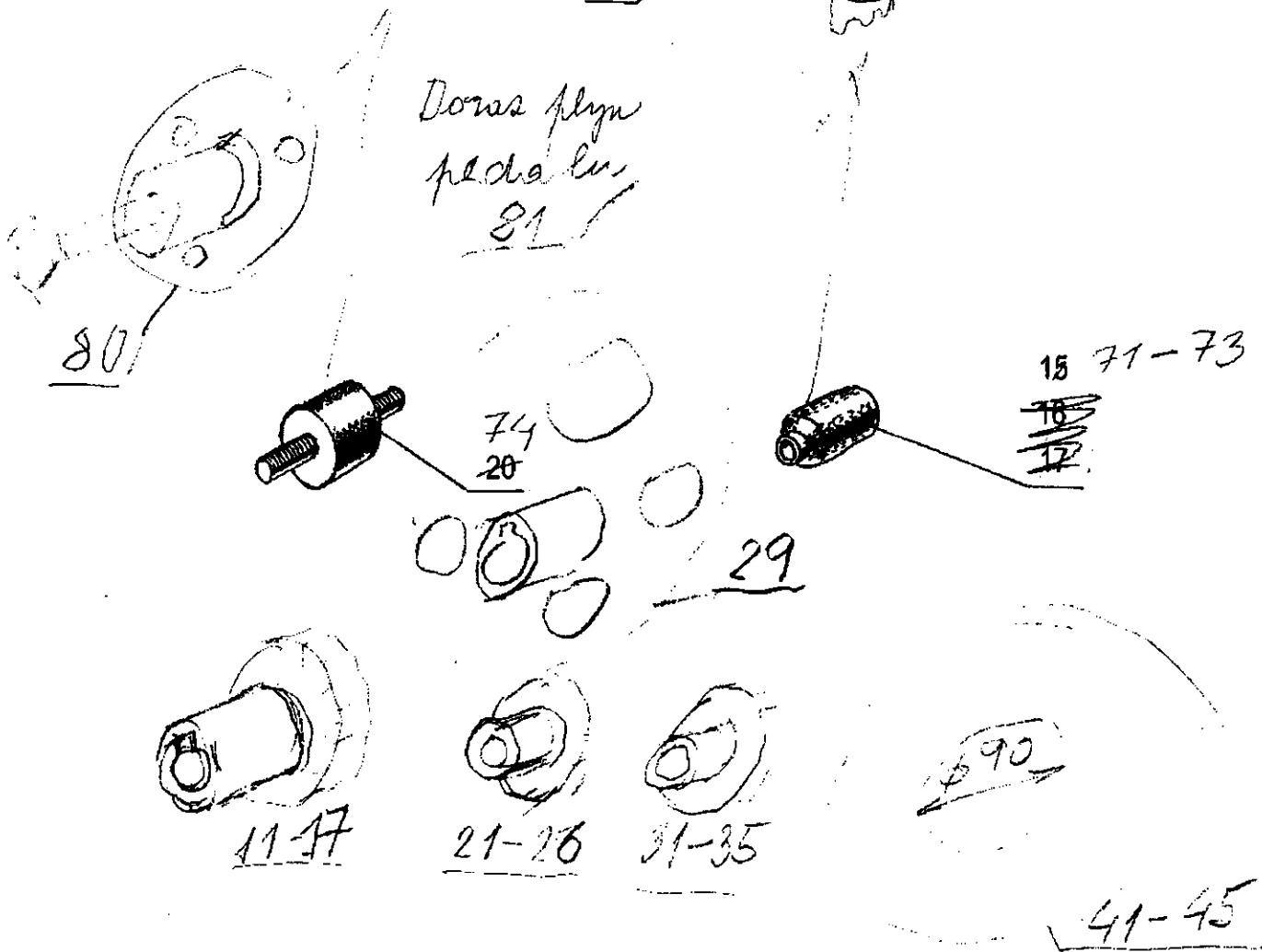
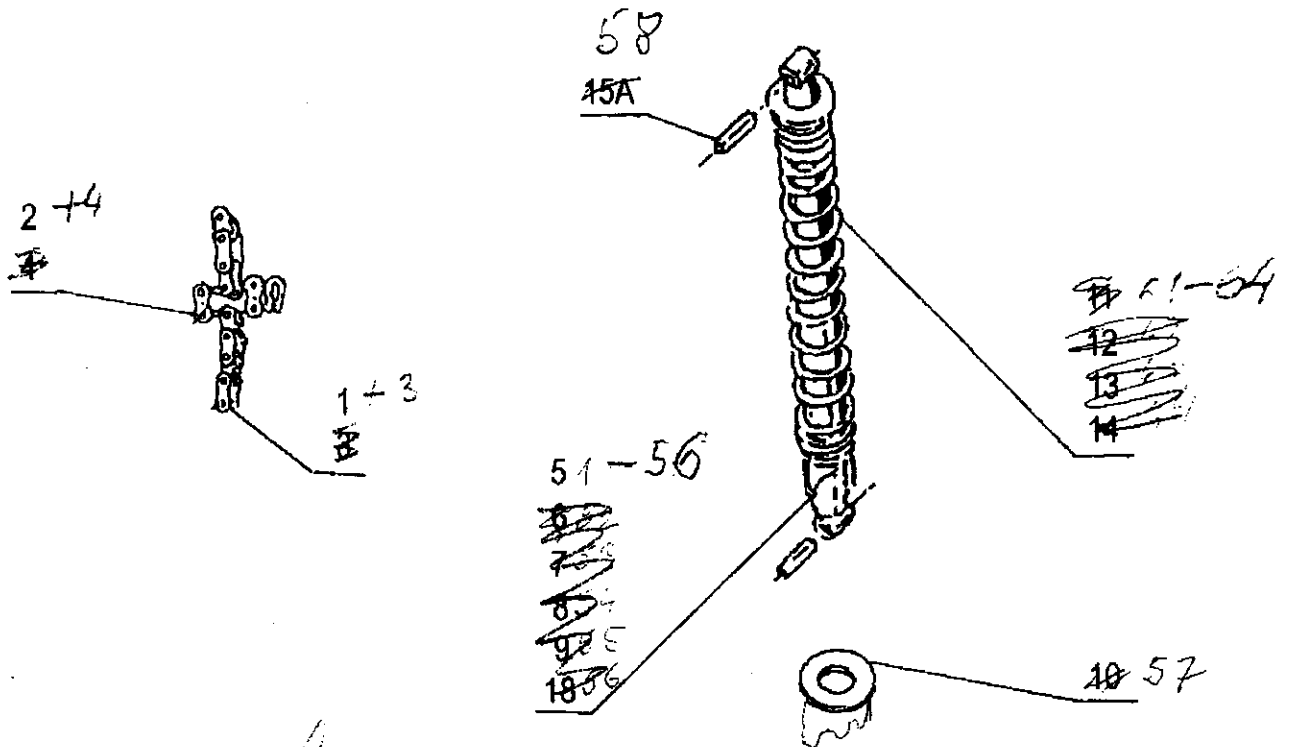
47B







~~51~~  
50



## CONTENT

### Folio

- 31 Engines Honda and Briggs & Stratton
- 32 Variomatic serie 20
- 33 Variomatic 44 Magnum
- 34 Rear axle BETA
- 35 Rear axle GRAND
- 36 Engine bracket GRAND
- 37 Swing axle DAKAR
- 38 Rear swing axle BETA RSXV
- 39 Differential, half axles, joints for swing axle
- 40 Front axle
- 41 Steering pedals
- 42 Brakes
- 43 Body with equipment BETA C
- 44 Body with roof and equipment BETA RS
- 44A Body with roof and equipment BETA RSXV
- 45 Body with equipment GRAND C
- 46 Body with roof and equipment GRAND RS
- 47 Body with equipment DAKAR C
- 47A Body with roof and equipment DAKAR RS
- 47B Body with roof and equipment DAKAR RSXV
- 48 Electrical equipment - material
- 49 Wheels and tyres
- 50 Standard parts, chains, sprockets, teleskopic shock absorbers, silentblocks, tools